

POWERFLEX®

PART NUMBER

PFR85-1111G

DESCRIPTION

T4 TRANSPORTER REAR BEAM OUTER BUSH ADJUSTABLE

INSTALLATION GUIDE

Contents (parts per pack):

- | | |
|-----------------------------|--------------------------|
| 2 x Polyurethane Bushes | 1 x 34AF Spanner |
| 2 x Stainless Steel Sleeves | 1 x PTFE/Silicone Grease |
| 2 x Nylon Washers | |

Please read the complete fitting instructions and check package components before fitment. These fitting instructions are to be used as a guide and in conjunction with workshop manual.

It is recommended that:

- all work to be carried out by a licensed technician;
- all safety precautions adhered to;
- wheel alignment to be checked and adjusted as required after any suspension work.
- All fasteners must be tensioned to manufacturer's torque settings.

Fitting Instructions:

NB. To be used in conjunction with PFR85-1110G

1. Remove the trailing arm from the vehicle and press out the original bush.
2. Clean any dirt and corrosion from the bore of the arm, removing any sharp edges or burrs with a rounded file.
3. Insert the bush into the arm from the inside as shown in Fig 1.
4. Apply some of the supplied grease to the bore of the bush.
5. Place the washer onto the sleeve and press the sleeve into the bush from the outside of the arm as shown in Fig 1.
6. Re-fit the arm to the vehicle and check and adjust vehicle geometry to the desired setting.
7. For maximum toe adjustment, use the supplied hex spanner to rotate the sleeve so that the bore is positioned in the opposing direction to PFR85-1110G as shown in Fig 2. This can be used to increase or decrease toe.

The sleeve also has a notch on the edge to indicate where the maximum offset is achieved.

8. Tension all hardware to the manufacturer recommended torque settings.

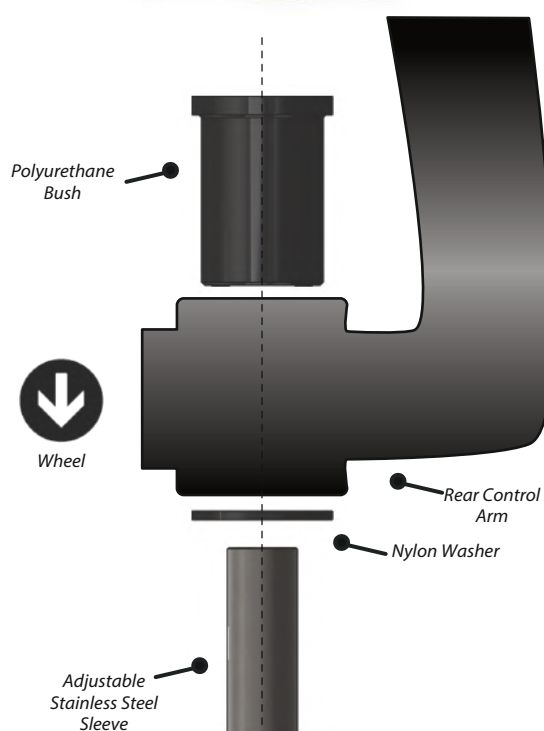


Figure 1

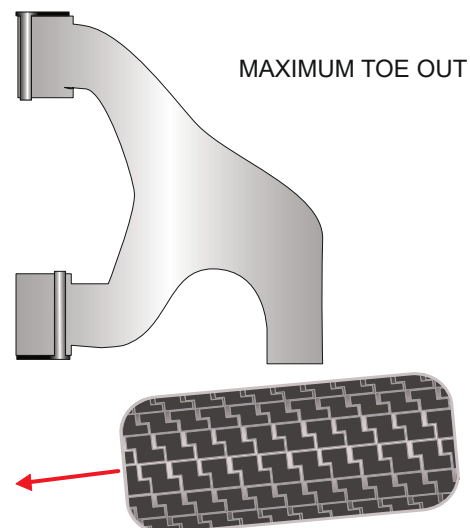


Figure 2